



INSTRUCTION MANUAL FOR WALL MOUNTING

Model: MS

1. The mounting should be performed according to this instruction manual.
2. The mounting should be used in accordance with its intended use.
3. If any elements or holes are missing, the product should not be used without first consulting the manufacturer.
4. Installation should take place on a flat surface adequate for the weight of the product and the person that's training.
5. To install the mounting, use wall plugs suitable for the type and quality of the surface.

Note: The manufacturer is not responsible for the use of inappropriate mounting elements not adapted to the type and quality of the surface.

6. If you notice any disturbing noises or bends, stop using the product and consult the manufacturer.

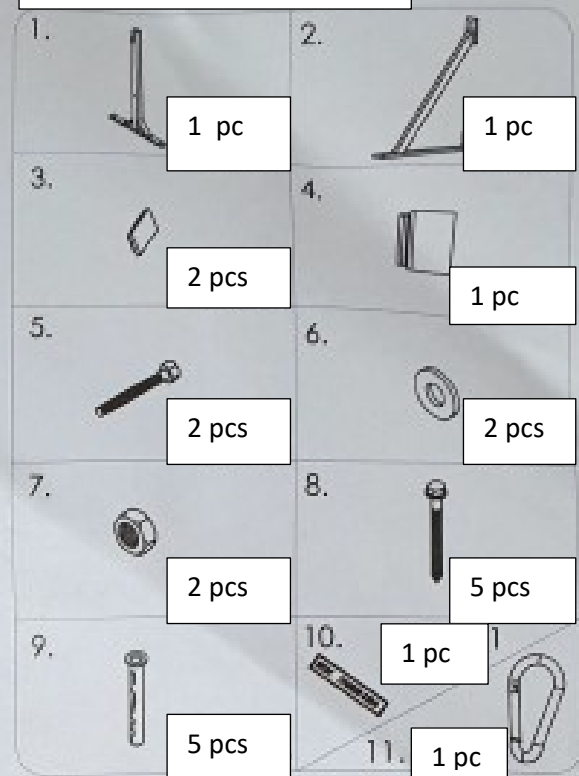
**BUSHIDO TRAINING BAG WALL MOUNTING
INSTALLATION INSTRUCTION MANUAL**



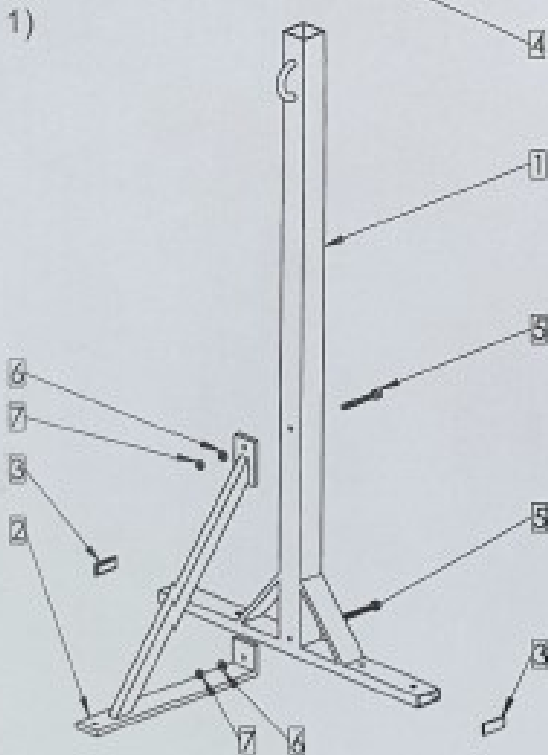
Specification:

- Tough construction moulding 50x50 [mm]
- Very durable powder coating
- Big distance from the wall: 109 cm

LIST OF PARTS



INSTALLATION:



MOUNTING TO THE WALL:

